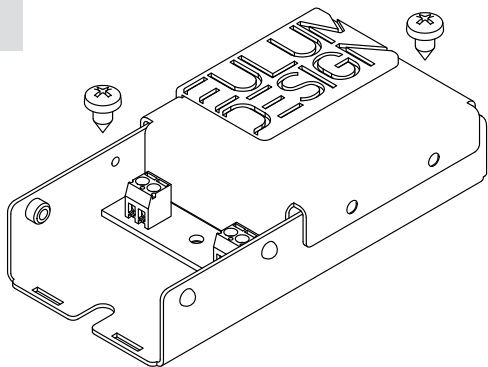


TRED/SRPT

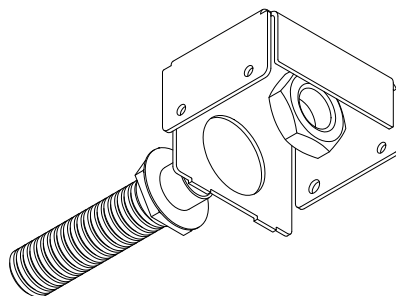


1



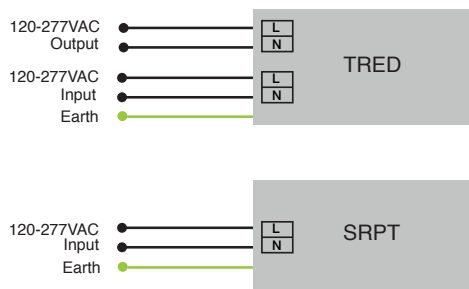
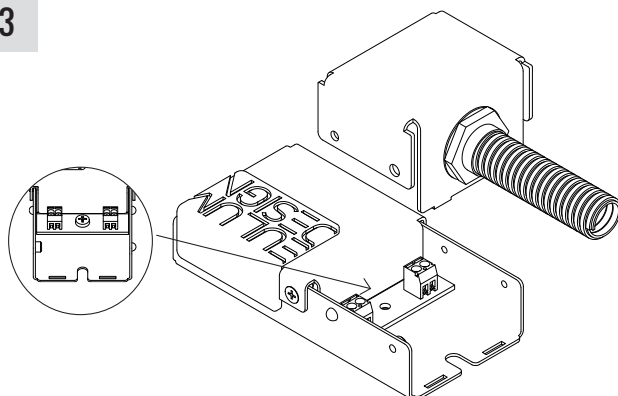
Secure module in position by using the two fixing slots (fixings not supplied).

2



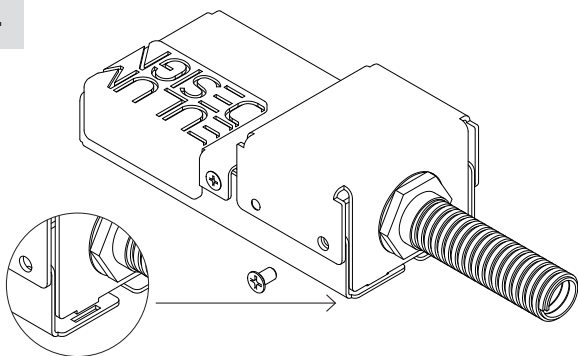
Secure terminal cover to 1/2 inch conduit.

3



Terminate wires following wiring diagram. Maximum wire size - 16 AWG
Connect Earth wire using appropriate wire nut (not supplied).

4



Snap terminal cover onto module insuring tabs locate into base. Then secure using screw provided.

WARNING



All devices should always be disconnected from the mains power supply and verify its absence prior to installation/ maintenance.



Hazardous voltages and risk of electric shock or fire: only qualified professionals should install the connections.

