

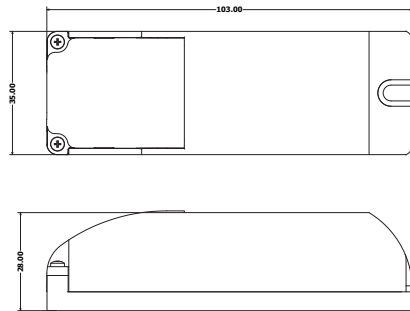
# TRED-E-XIT

## EU Technical Datasheet

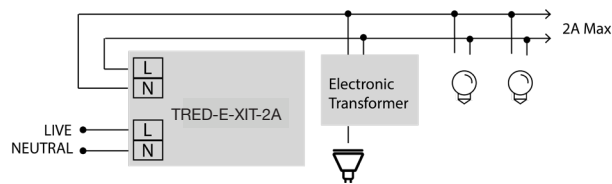
POWERED BY  
**XICATO**®  **GalaXi**™

**EULUM**  
**DESIGN**

### Dimensions




### Wiring Diagram



### General Description

120-277VAC bluetooth enabled trailing edge dimmer.

### Technical Specifications

Housing	Plastic Injection Moulded ABS
Dimensions	103mm x 35mm x 28mm
Weight	<0.5kg
Electrical Connections	0.25mm to 1.3mm <sup>2</sup>
Mechanical Mount. Connection	Screw Down
Operating Temp. Ambient	0°C to +50°C
Storage Temp.	-40°C to +80°C
Input Voltage	120-277VAC
Switching Output	2A @ 230VAC
Maximum Power	≤ 1.5 (without power switching)
Max. Off-State Pwr Consumption	≤ 300mW
Dimming	Logarithmic/Linear, 1-100%, 0-01% Resolution
Dimming Output	Trailing edge phase dimmer
Wireless Protocol	Bluetooth Low Energy v4.1
Standards	

### Features

- 120-277VAC
- Trailing edge phase dimming controller
- Capable of loads up to 2A
- Xicato enabled
- Bluetooth beacons

### Order Codes

**TRED-E-XIT-2A:** Wireless trailing edge phase dimmer. 120-277VAC Input Xicato Enabled