

## TRAN-E-XIT-1

### Technical Datasheet for Bluetooth 0-10V Translator



## Description

The TRAN is a system protocol translator with Xicato integration, converting the bluetooth commands to a single 1-10V analogue dimming output.

- Single 1-10V output (max 5 drivers)
- Switched live output with 500w Relay
- Xicato Enabled
- Bluetooth Beacons



## Technical Specifications

### Mechanical

Housing	Black Plastic Injection Moulded ABS
Dimensions	162.2mm x 35mm x 33.3mm
Weight	96g
Protection	IP20
Mounting	Screwdown

### Input

Voltage Range	120-277VAC
Frequency	50-60Hz
Max. Mains Current	20mA (excluding switched live load)
No-load Standby Power	<700mW

### 0-10V Output

Output Voltage	120-277VAC
Max. Output Current	10mA

### Switched Live Output

Voltage	120-277VAC
Max. Continuous Current	2A
Max. Inrush Current	165A/20ms

### Radio Transceiver

Operating Frequencies	2.4Ghz - 2.483Ghz
Maximum Output Power	+4dBm
Wireless Protocol	Bluetooth Low Energy v4.1

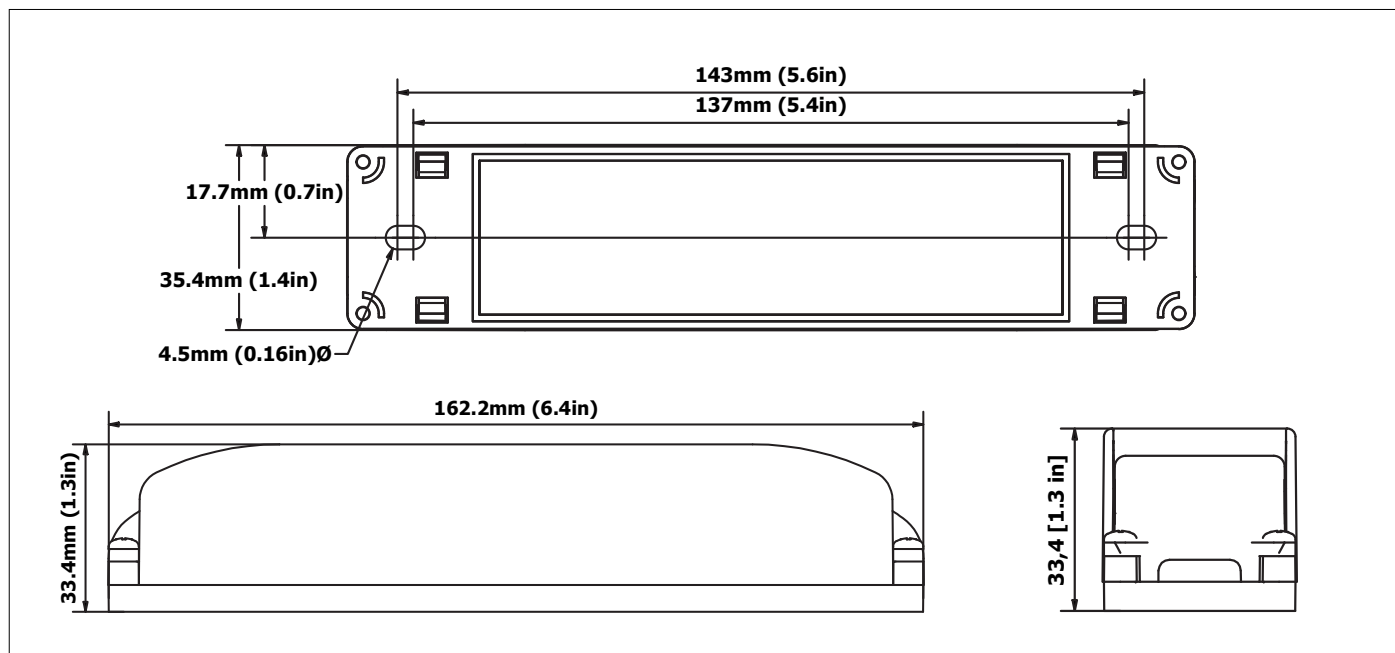
### Operating Conditions

Ambient Temperature	0°C to +50°C
Max. Case Temperature	+65°C
Storage Temperature	-40°C to +80°C
Max. Relative Humidity	80% non-condensing

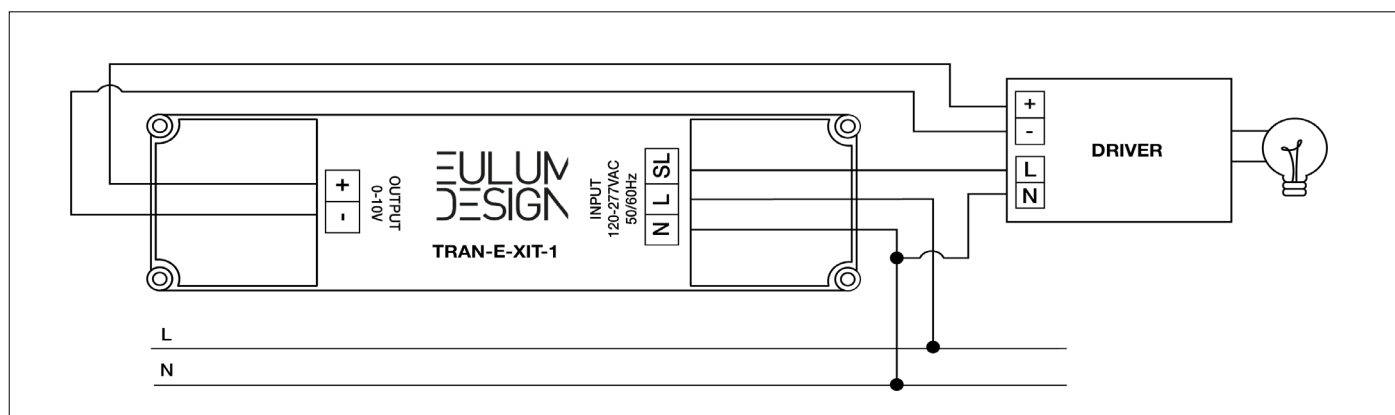
### Connectors

Wire Range	0.5mm - 1.5mm
Wire Strip Length	8mm

## Dimensions



## Wiring Diagram



## Range

In open air, the bluetooth range can reach up to 75m. This will be reduced when placed inside a building. Please note that putting the bluetooth unit inside a metal enclosure is unadvised as this will dramatically reduce the signal range.

## Warranty

For information on our warranty, please visit: [www.eulum.com/warranty/](http://www.eulum.com/warranty/)