

## TRED-E-XIT-2A

Technical Datasheet for wireless Trailing-Edge Dimming unit for LED Lighting



### Description

The TRED-E-XIT-2A is a Trailing Edge Dimmer with Xicato integration.

TRED-E-XIT-2A provides dimming and is typically used with incandescent light sources, retrofit LED lamps, electronic transformers and LED drivers that are compatible with Trailing Edge Phase Dimming.

- Trailing Edge Dimming controller
- Capable of loads up to 2A
- Xicato Enabled
- Bluetooth Beacons



## Technical Specifications

### Mechanical

Housing	Black Plastic Injection Moulded ABS
Dimensions	103mm x 35mm x 28mm
Weight	50g
Protection	IP20
Mounting	Screwdown

### Input

Voltage Range	120-277VAC
Frequency	50-60Hz
Max. Mains Current	2A (3A Fused)
No-load Standby Power	<300mW

### Output

Dimming Method	Trailing-Edge Phase Control
Dimming Output	Logarithmic/Linear, 0-100%, 0.4% Resolution
Max Output Power	Tungsten or Halogen lamps = 460W@230VAC/240W@120VAC Dimmable LED and CFL lamps= 150W@230VAC /75W@120VAC Trailing Edge LED drivers, Electronic Transformers = 150W@230VAC/75W@120VAC  <i>Note: Not compatible with magnetic/inductive loads such as iron core transformers. This will permanently damage the TRED. Do not mix load types.</i>
Max Output Current	2A
Min. Load Requirement	1W
Max Inrush Current	30A

### Radio Transceiver

Operating Frequencies	2.4Ghz - 2.483Ghz
Maximum Output Power	+4dBm
Wireless Protocol	Bluetooth Low Energy v4.1

### Operating Conditions

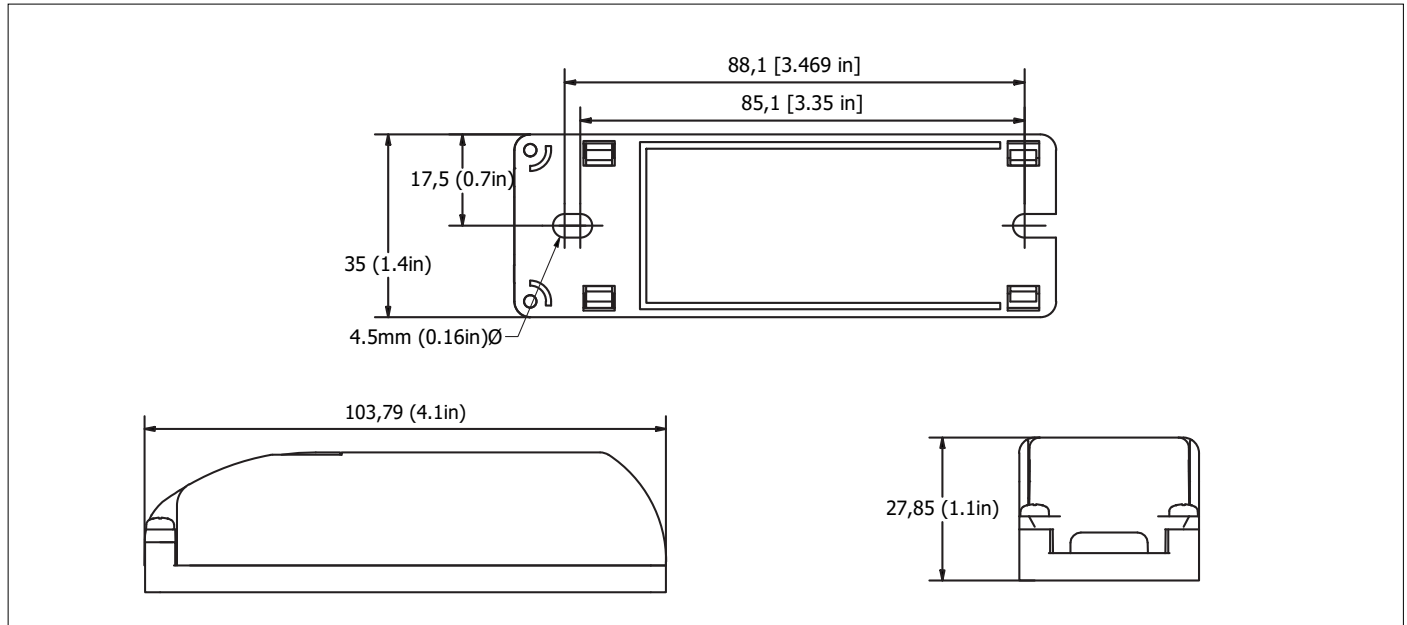
Ambient Temperature	0°C to +50°C
Max. Case Temperature	+75°C
Storage Temperature	-40°C to +80°C
Max. Relative Humidity	80% non-condensing

### Connectors

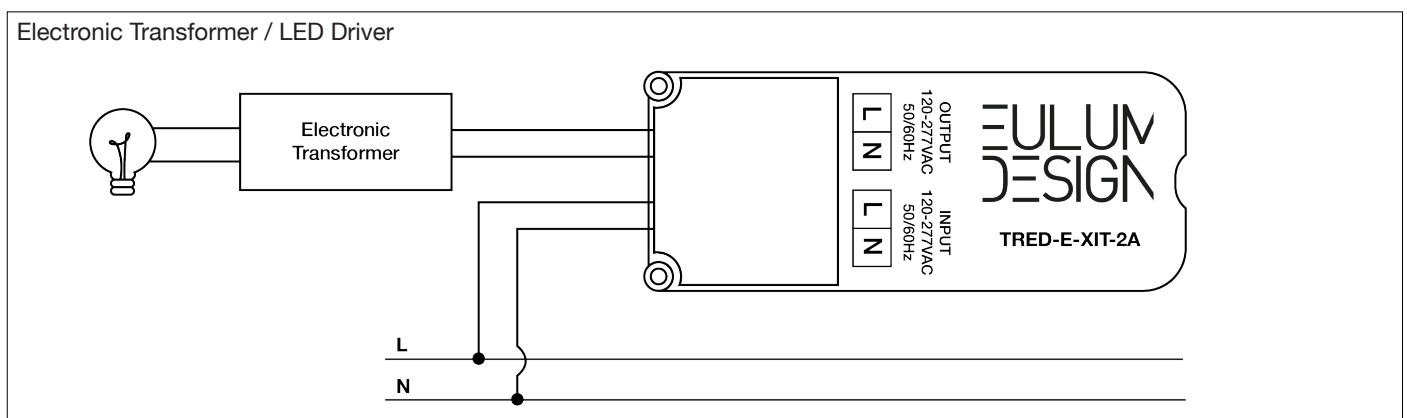
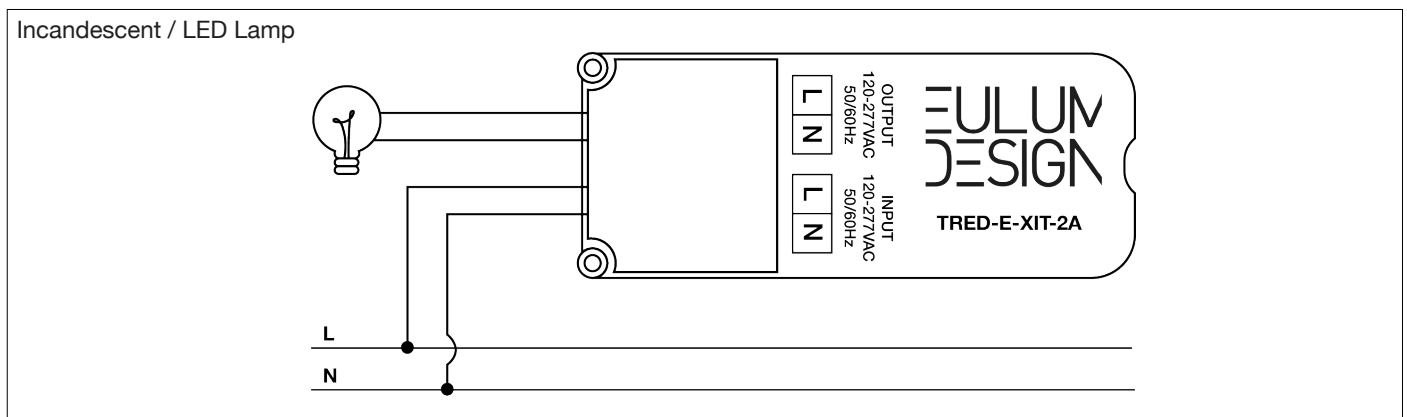
Wire Range, Solid	0.2mm - 2.5mm
Wire Strip Length	5mm

**Range** In open air, the bluetooth range can reach up to 75m. This will be reduced when placed inside a building. Please note that putting the bluetooth unit inside a metal enclosure is unadvised as this will dramatically reduce the signal range.

## Dimensions



## Wiring Diagram



## Warranty

For information on our warranty, please visit: [www.eulum.com/warranty/](http://www.eulum.com/warranty/)